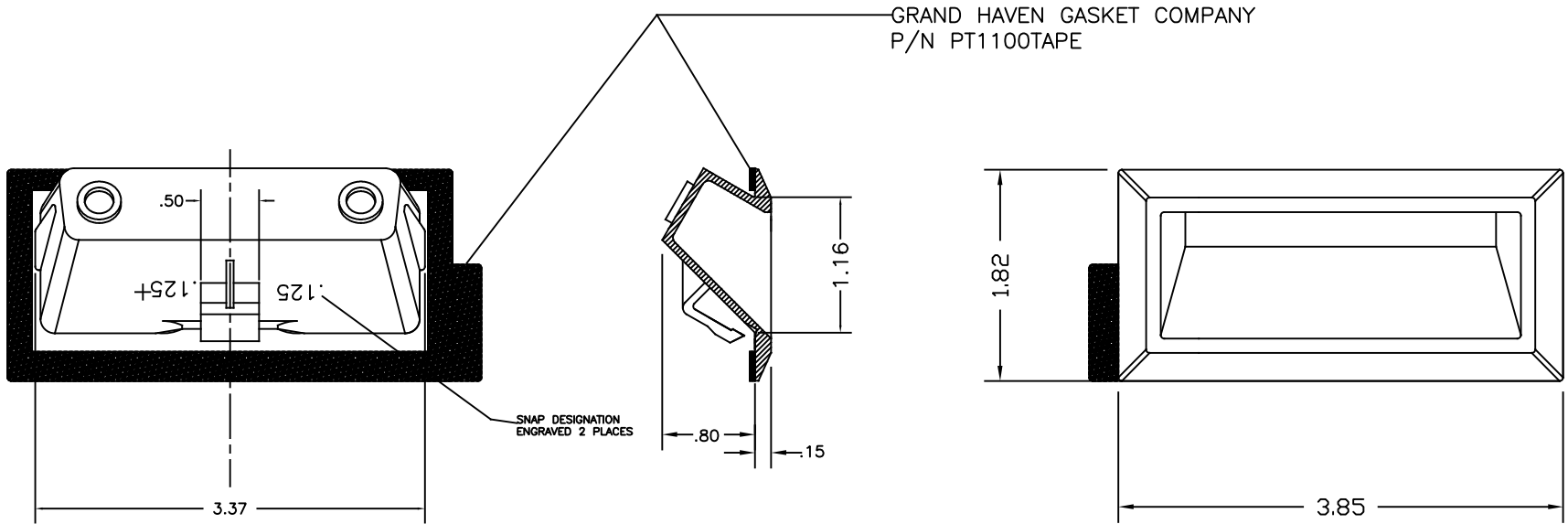


GRAND HAVEN GASKET COMPANY  
P/N PT1100TAPE



RECOMMENDED CUT OUT SIZE: 1.26 X 3.45

GENERAL WALL THICKNESS .06 UNLESS OTHERWISE SPECIFIED

<p><b>CONRAD TECHNOLOGIES</b></p> <p>P.O. BOX 308 CONRAD, IA 50621</p>		P/N CT-345-01-125-G	
		3" HANDLE WITH 1/8" SNAP AND GASKET	
TOLERANCES		MATL: ABS	
.XXX +- .005		DATE:6/03/08	
.XX +- .015		DWN: CRD	
FRAC. +- 1/64		SCALE:	
		DWG NO:B1030	